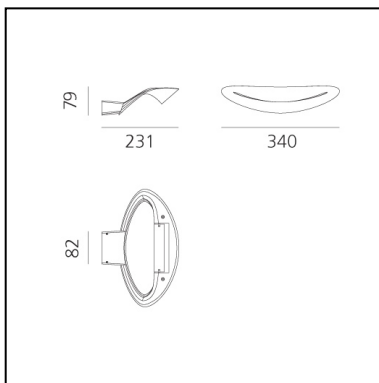


# Mesmeri Led 3000K Satin copper

Eric Solè



IP20     



## LUMINAIRE

- Watt: **28W**
- Voltage: **220V-240V**
- Delivered lumens output: **2622lm**
- CCT: **3000K**
- Efficiency: **100%**
- Efficacy: **93.64lm/W**
- CRI: **90**
- Dimmable Typology: **Push**

## Notes

Lamp included.

## DESCRIPTION

Mesmeri LED: thanks to the new LED power supply technology and to the use of LEDs specifically designed to be used in non-SELV circuits, for the first time the traditional halogen sources can be replaced with the new and extremely performing LED technology. The LED module used in this fitting allows a significant lumen output (min. 2400 lm), with suitable colour temperature (3000K) and good chromatic output (CRI 80). Furthermore, this fitting does not require the use of bulky and aesthetically invasive power devices. Its sophisticated power supply system drastically reduces flickering effects reported in similar solutions involving the rectification of alternating current power supplies. Also it guarantees good efficiency levels and a lamp life expectancy equivalent to the LEDs in use.

**PRODUCT CODE: 0918070A**

## FEATURES

- Article Code: **0918070A**
- Colour: **Satin copper**
- Installation: **Wall**
- Material: **Aluminium**
- Series: **Design Collection**
- Environment: **Indoor**
- Area contract: **Hospitality, Residential**
- Emission: **Indirect**
- design by: **Eric Solè**

## DIMENSIONS

- Length: **cm 34**
- Width: **cm 23.1**
- Height: **cm 7.9**
- Base Width: **cm 8.2**
- Glow Wire Test: **850°**

## SOURCES INCLUDED

- Category: **Led**
- Number: **1**
- Watt: **28W**
- Delivered lumens output: **3200lm**
- Color temperature (K): **3000K**
- CRI: **90**
- Color Tolerance: **MacAdam 2SDCM**